

RH850D1M1A ETS



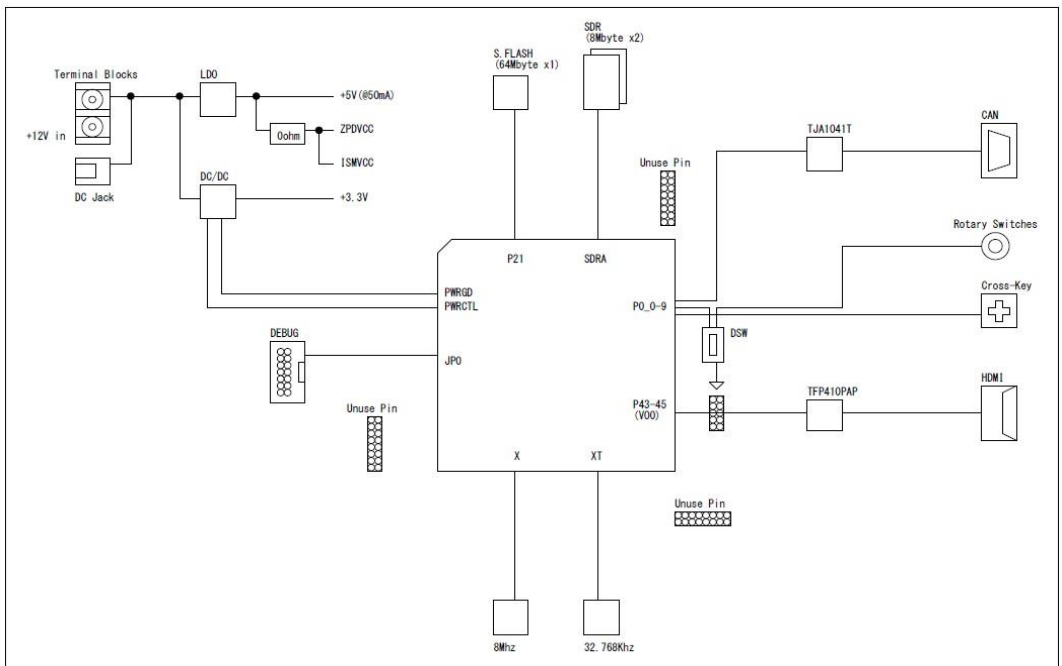
The RH850/D1M1A ETS board is an evaluation board equipped with the microcomputer RH850/D1M1A (Renesas, R7F701461).

This board Equipped with CAN communication and HDMI output can evaluate RH850/D1M1A for various purposes, such as image processing such as in-vehicle dashboard.

◆ RH850/D1M1A ETS Specifications

CPU	RRENESAS, RH850/D1M1A (R7F701461)
Memory	SDRAM 64Mbit x2 OctaFlash 512Mbit
External	CAN x1 HDMI x1
Parts for EV	LED x2 Debug Connector
Power	DC12V \pm 10%
Board Size	Dimensions: 200mm \times 150mm (Excluding protrusions)

◆ Block Diagram



SP32E6001EN

The contents of this material might change without notification.
The company names and products described in this document are trademarks or registered trademarks of each company.

SHIMAFUJI Electric Inc.

6-36-11, Nishikamata, Ota-ku, Tokyo, Japan

TEL : 03-3733-8308

E-mail : info@shimafuji.co.jp

URL : http://www.shimafuji.co.jp

