

# CCPF Starter Kit Board

PAGE 1	TITLE PAGE
PAGE 2	REVISION LEVEL HISTORY
PAGE 3	COM EXPRESS
PAGE 4	M.2 PCIe
PAGE 5	USB Display1 CAN GPIO DEBUG
PAGE 6	Power Supply
PAGE 7	Camera I/F, Power Control (RL78), FAN CN

TITLE		
Title	CCPF Starter Kit Board	
Size	Document Number	Rev
A3	T0A1BA02	0.0
Date:	Tuesday, September 28, 2021	Sheet 1 of 7

Date	Revision	Page	Description of Changes
2021. 2. 18	0. 0		初版
2021. 3. 1	0. 0	7	SW7-1pin(=10kΩPU(D5V0))を追加。

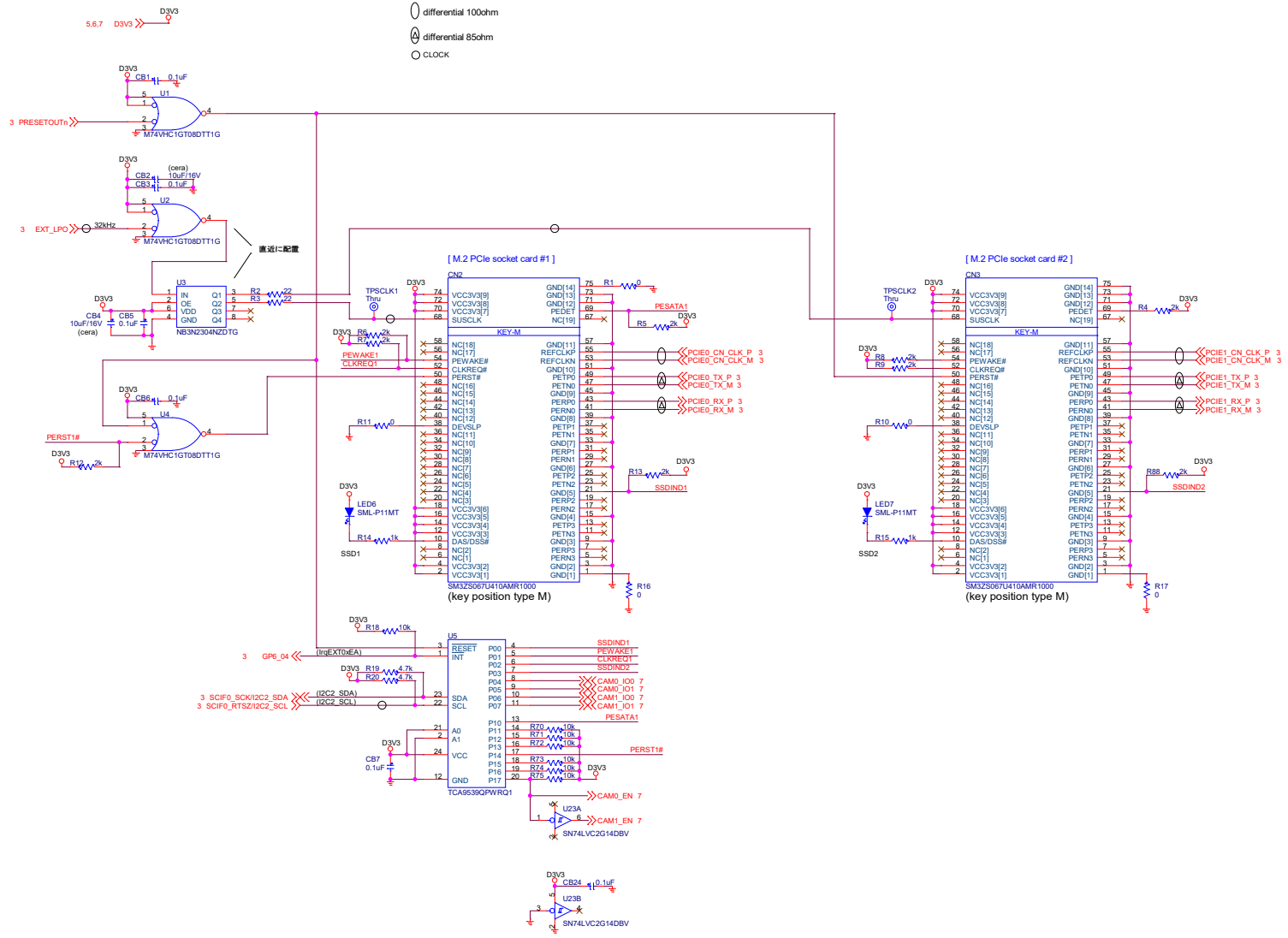
パソコン番号の電源電圧区分  
 CSF:1V(+6~50V)  
 CA:+5V  
 CB:+3.3V

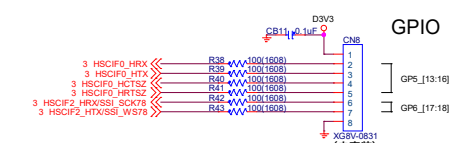
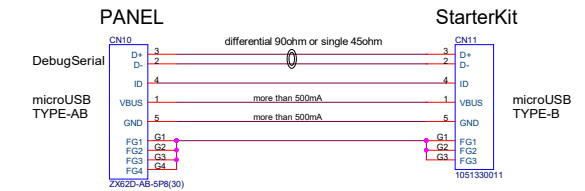
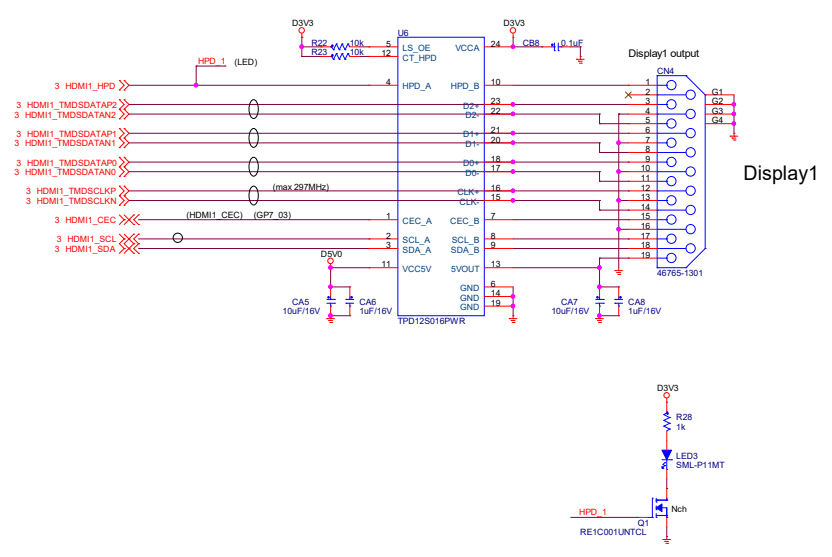
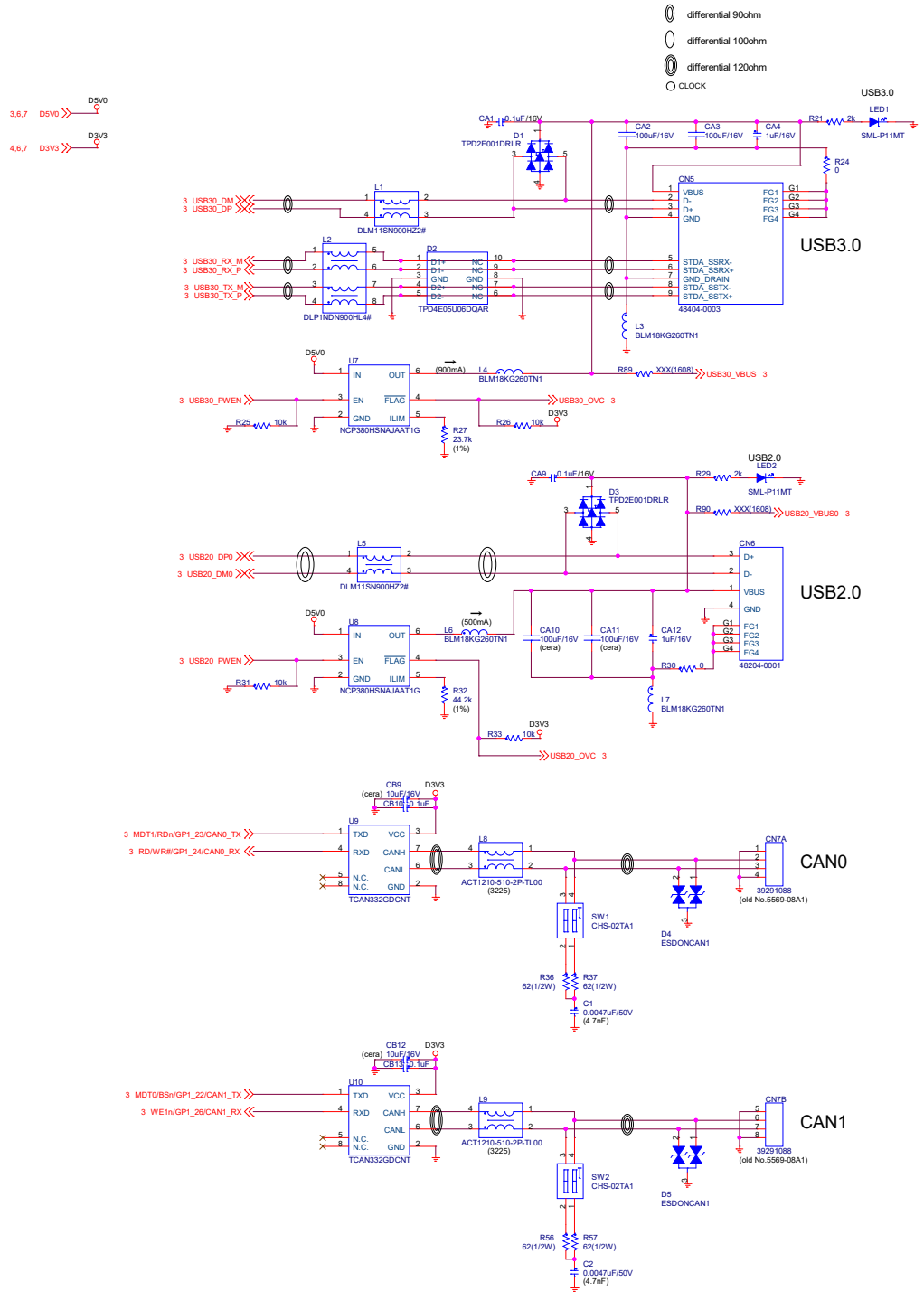
REVISION LEVEL HISTORY			
Title CCPF Starter Kit Board			
Size A2	Document Number T0A1BA02	Rev 0.0	
Date Monday, March 01, 2021	Sheet 2 of 7		

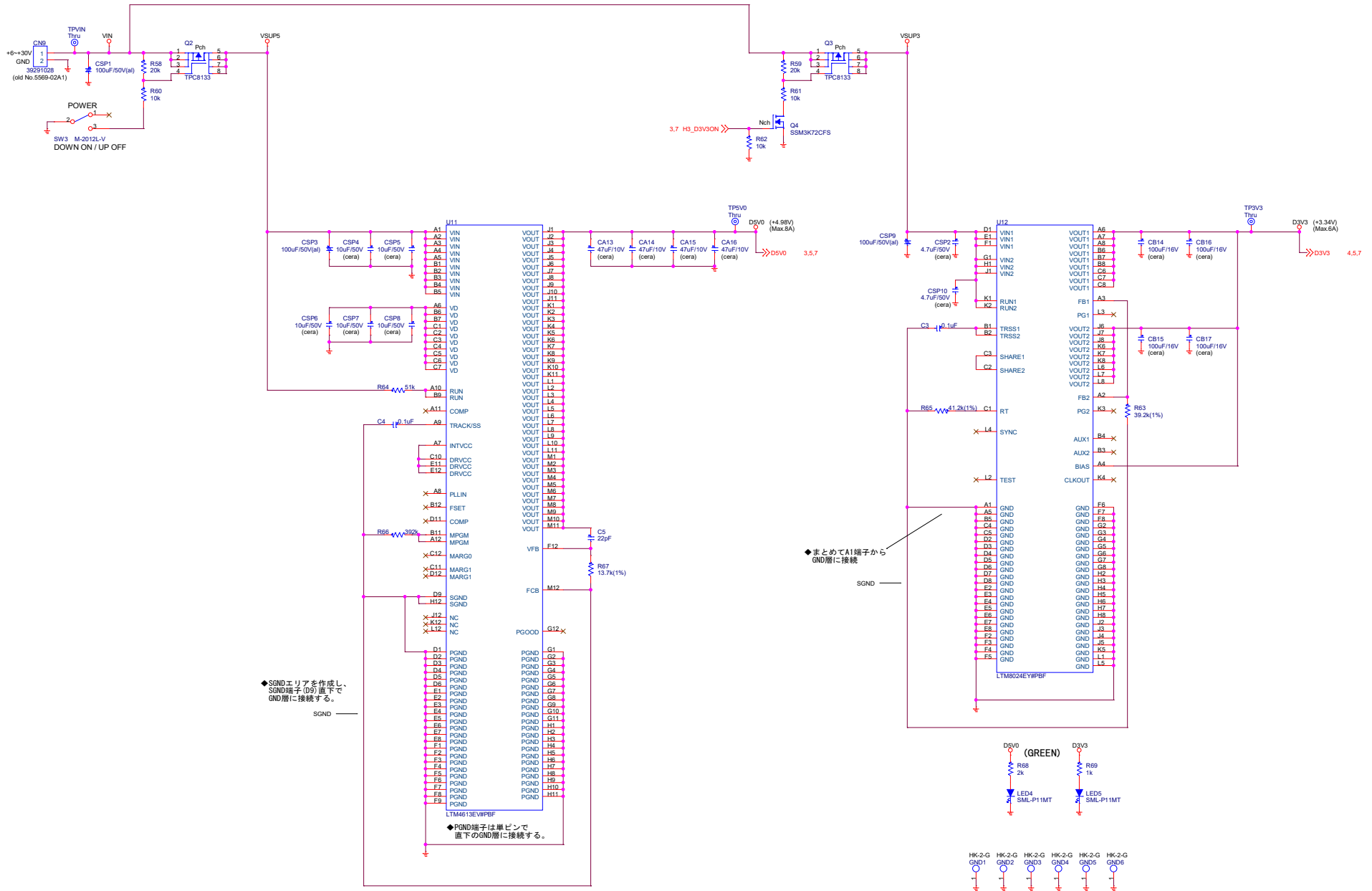
5.6.7 DSV0

- ⊕ differential 90ohm
- ⊖ differential 100ohm
- ⊕ differential 85ohm
- CLOCK







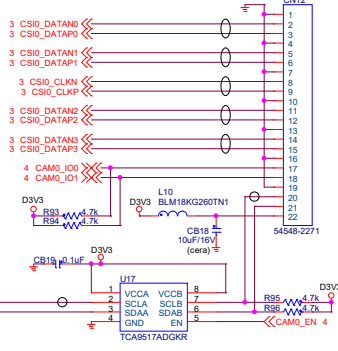


○ differential 100ohm

○ CLOCK

3.5.6 D5V0  
4.5.6 D3V3

### CAM0



### CAM1

