

CCPF Starter Kit Board

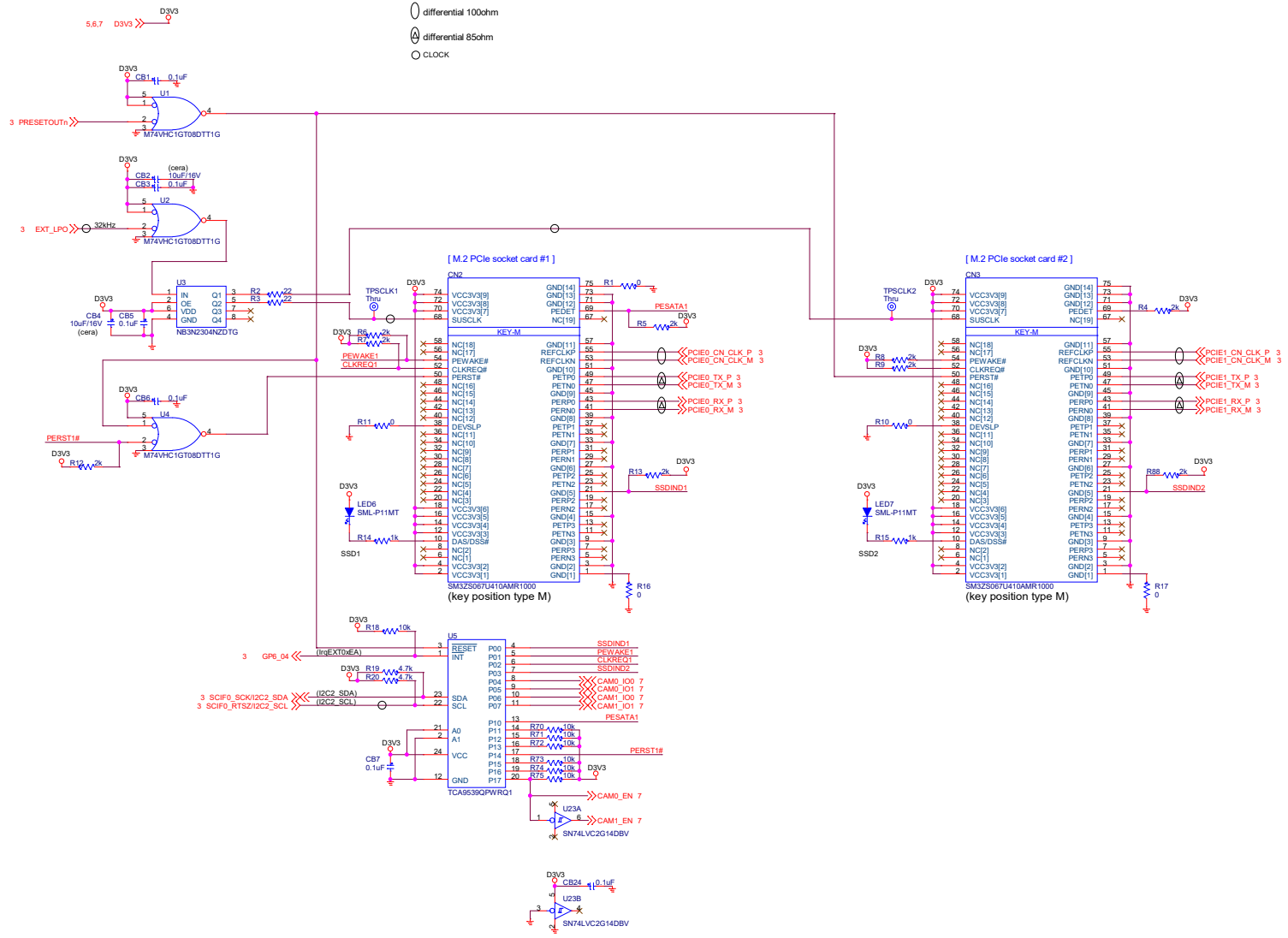
PAGE 1	TITLE PAGE
PAGE 2	REVISION LEVEL HISTORY
PAGE 3	COM EXPRESS
PAGE 4	M.2 PCIe
PAGE 5	USB Display1 CAN GPIO DEBUG
PAGE 6	Power Supply
PAGE 7	Camera I/F, Power Control (RL78), FAN CN

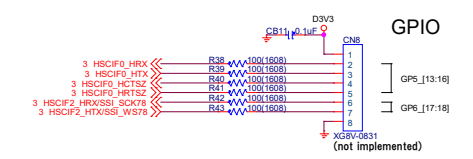
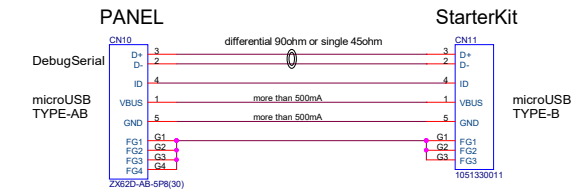
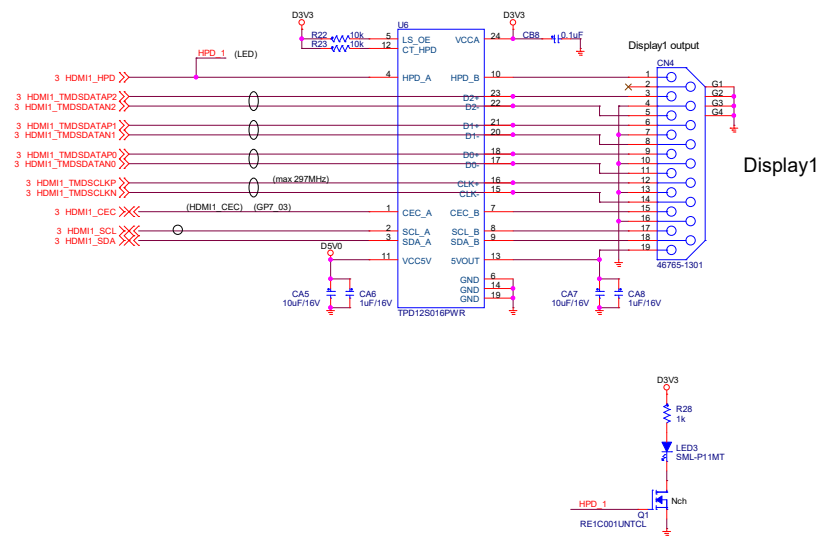
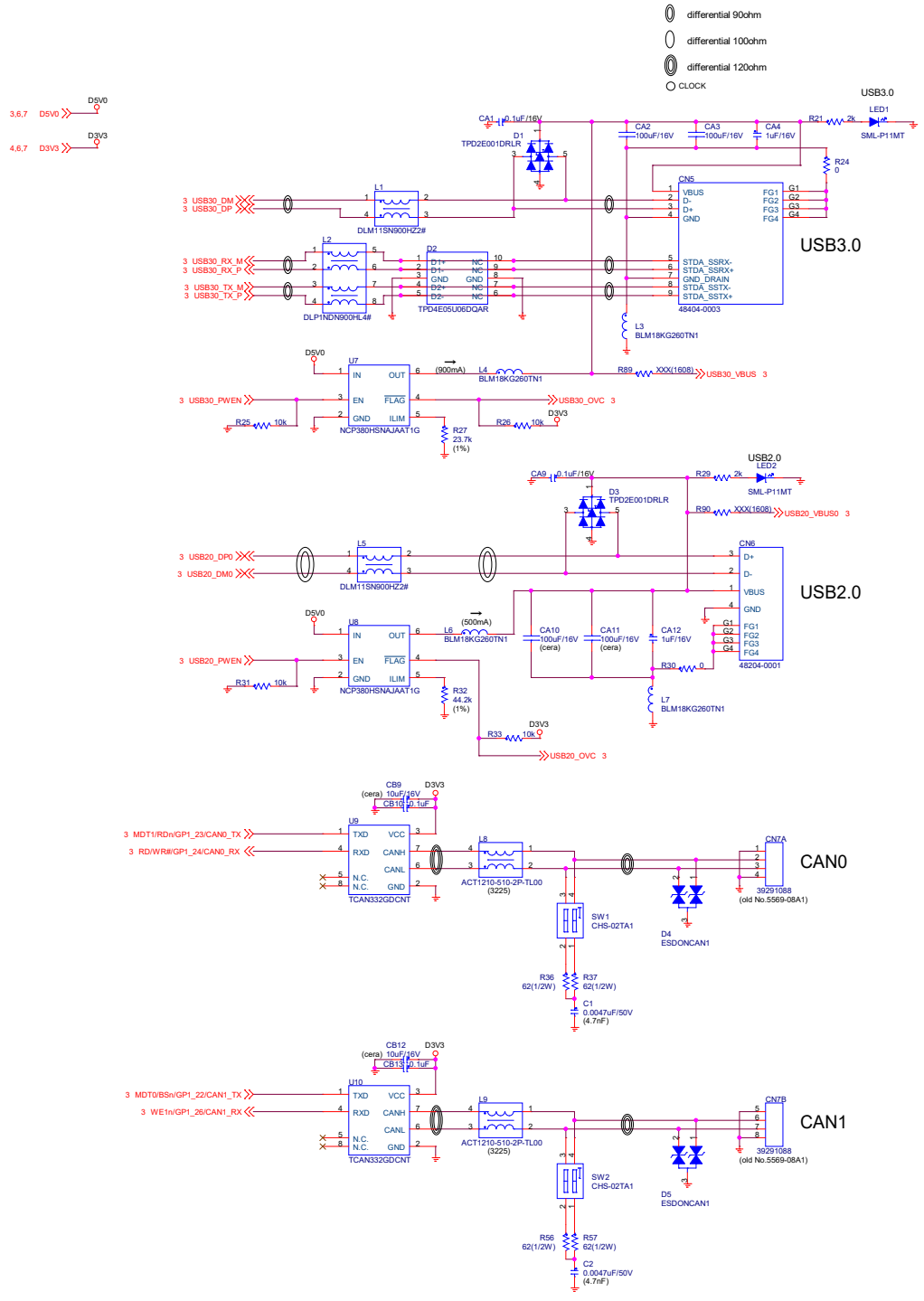
TITLE		
Title	CCPF Starter Kit Board	
Size	Document Number	Rev
A3	T0A1BA02	0.0
Date:	Tuesday, September 28, 2021	Sheet 1 of 7

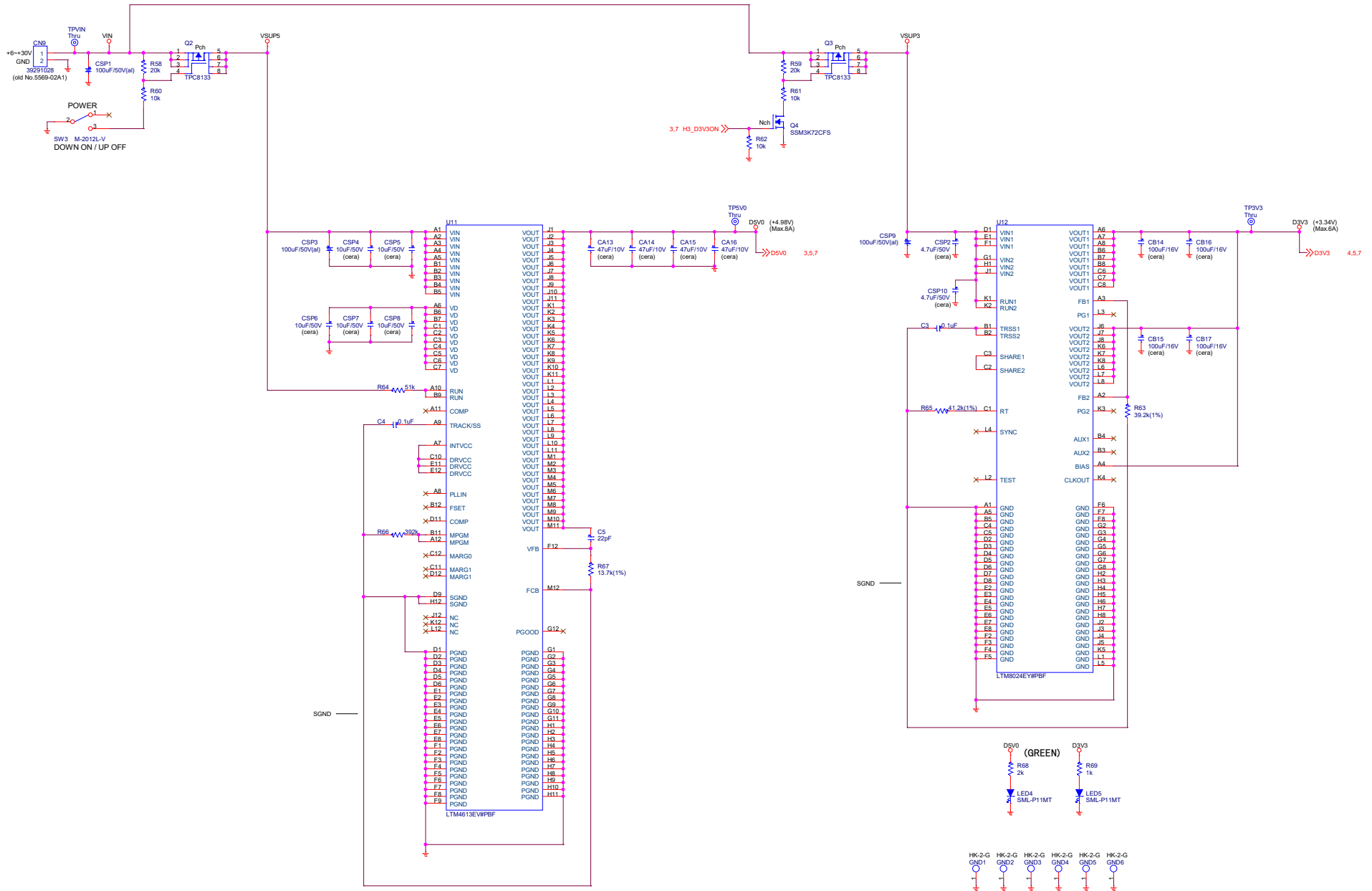
5.6.7 DSV0

- ⊕ differential 90ohm
- ⊖ differential 100ohm
- ⊕ differential 85ohm
- CLOCK







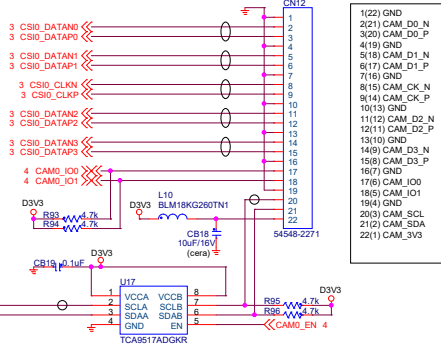


○ differential 100ohm

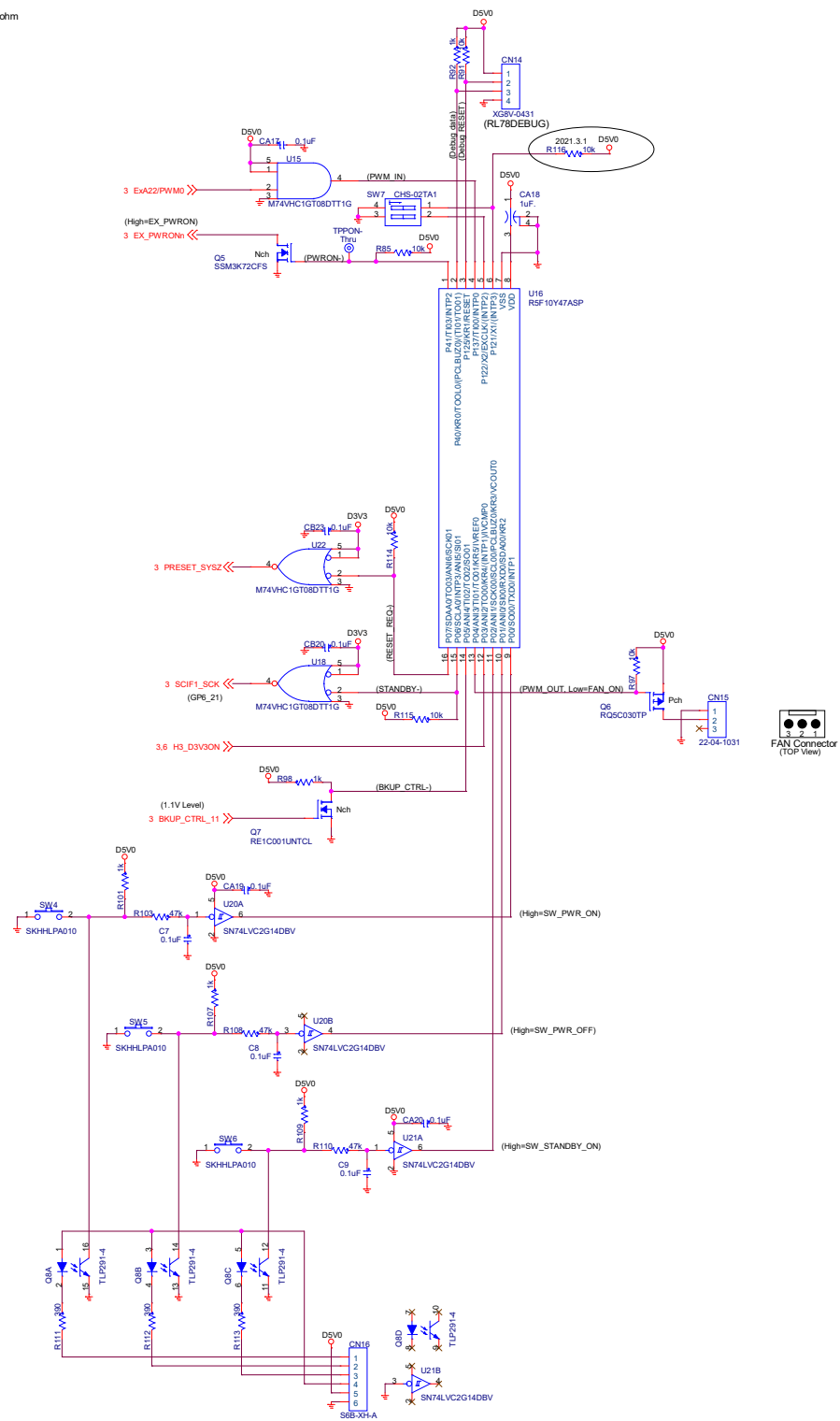
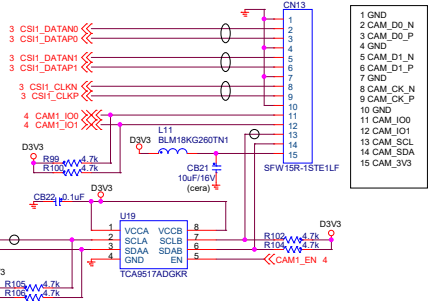
○ CLOCK

3.5.6 D5V0
4.5.6 D3V3

CAM0



CAM1



Camera I/F, Power Control (RL78), FAN CN			
File	CCPF Starter Kit Board		
Size	A2	Document Number	Rev
		T0A1BA02	0.0
Date	Friday, September 24, 2021	Sheet	7 of 7