

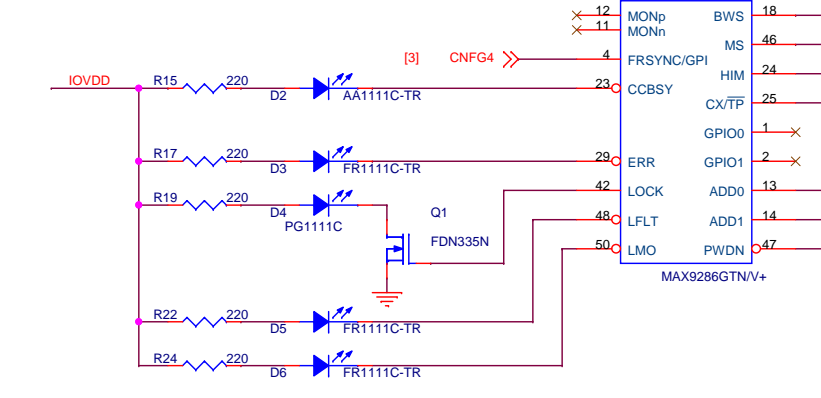
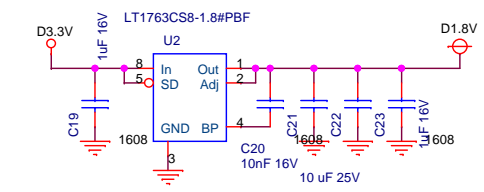
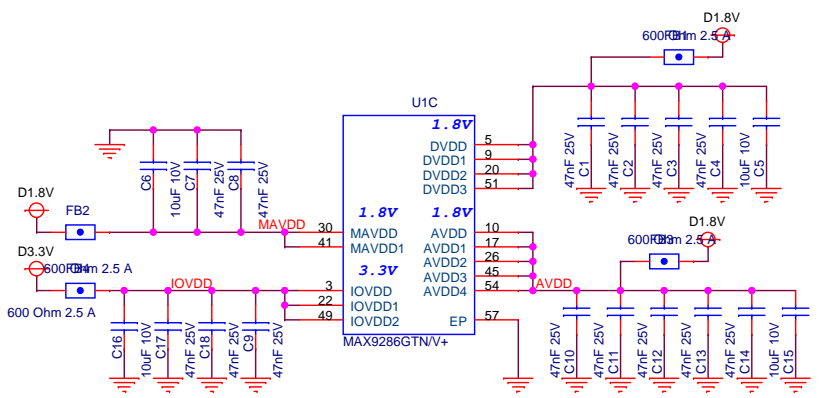
Preliminary

GMSL Input port to 4-Lane CSI-2

- 01 TOC & TITLE
- 02 DESERIALIZATOR
- 03 PORT

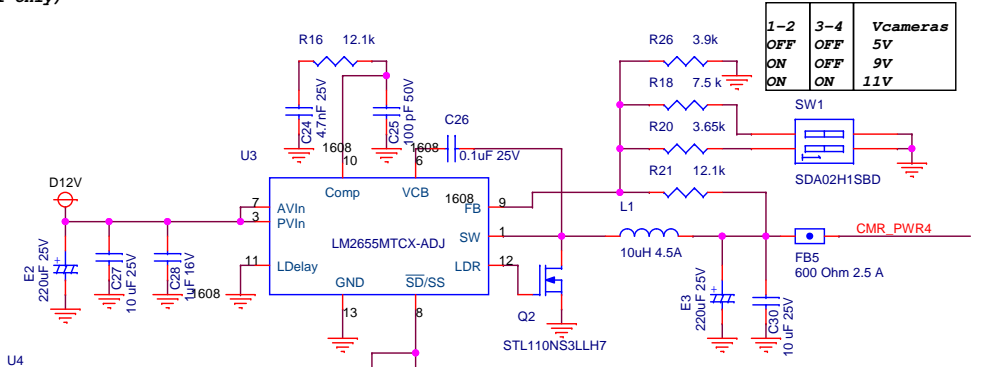
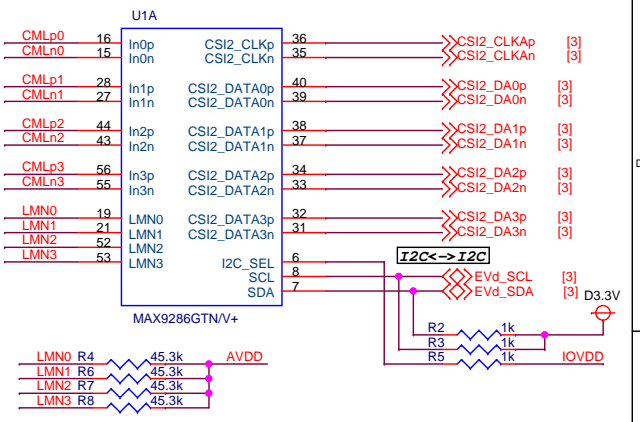
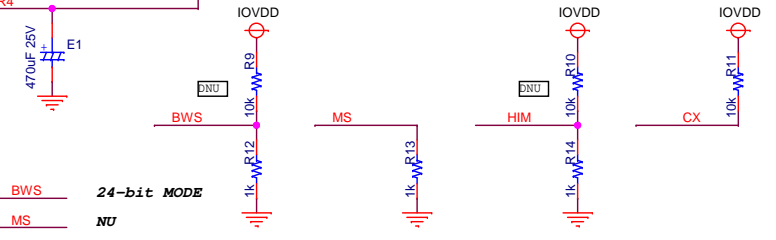
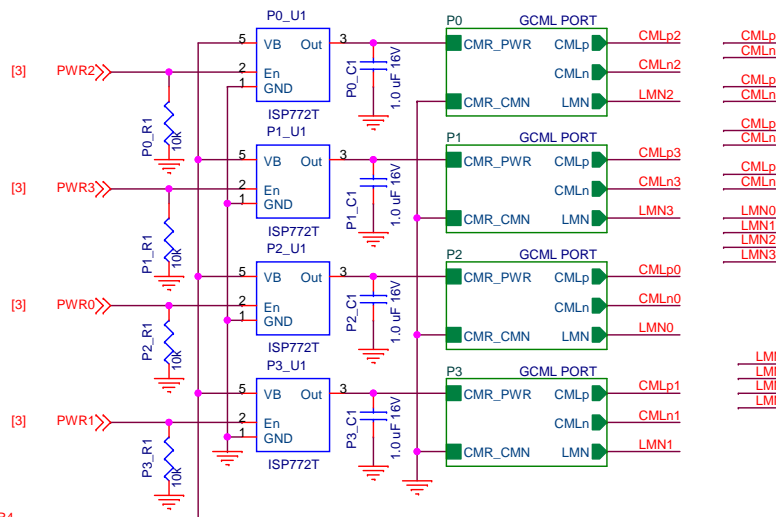
| | | |
|-----------------|------------------------------|--------------|
| Title | | |
| GMSL Input port | | |
| Size | Document Number | Rev |
| A | 4xGCMLCoax-V2 | 0 |
| Date: | Wednesday, December 20, 2017 | Sheet 1 of 7 |

Preliminary

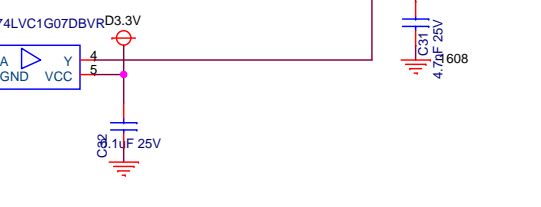


CNFG[1..0] are programming I2C Address : see Table 1 on page 25 of datasheet.

U1/FRSYNC/GPI[4] <-> CNI[34]



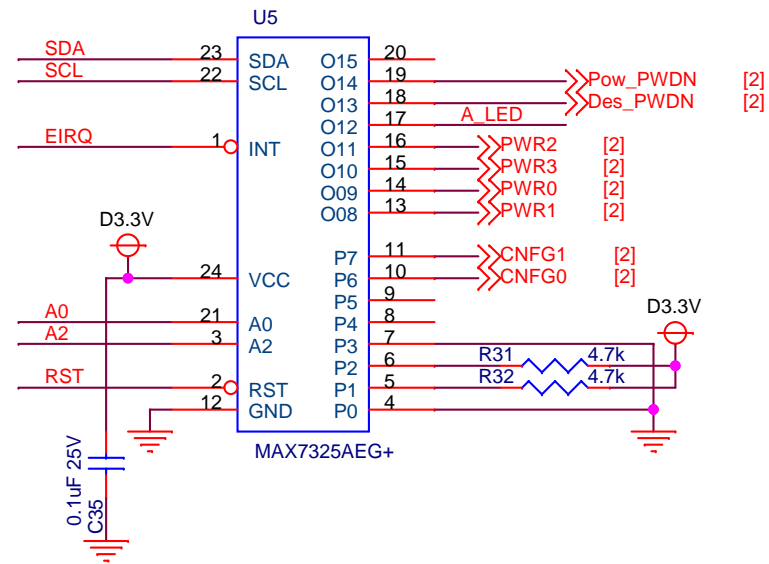
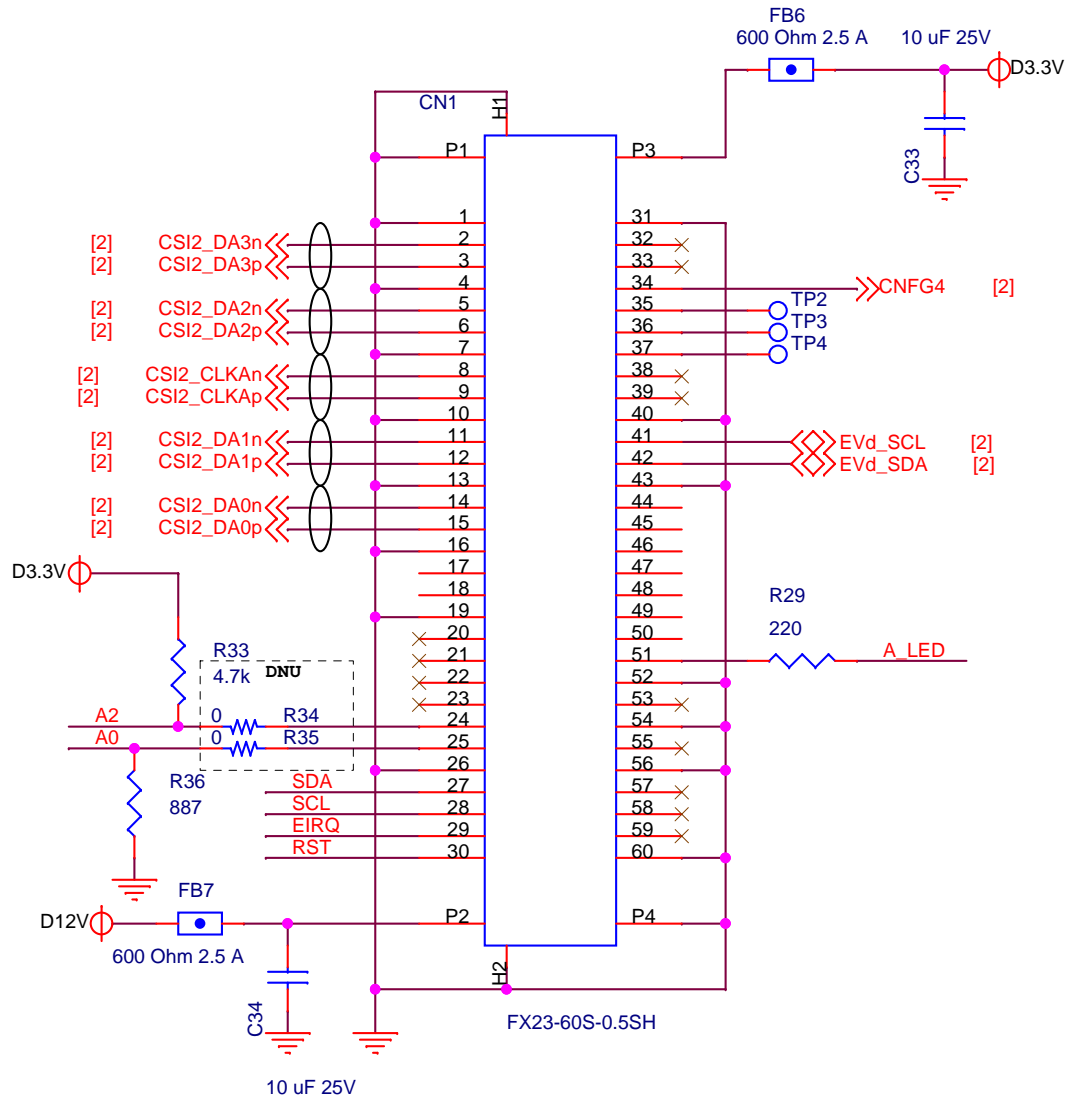
| | | |
|-----|-----|----------|
| 1-2 | 3-4 | Vcameras |
| OFF | OFF | 5V |
| ON | ON | 9V |
| ON | ON | 11V |



<Variant Name>

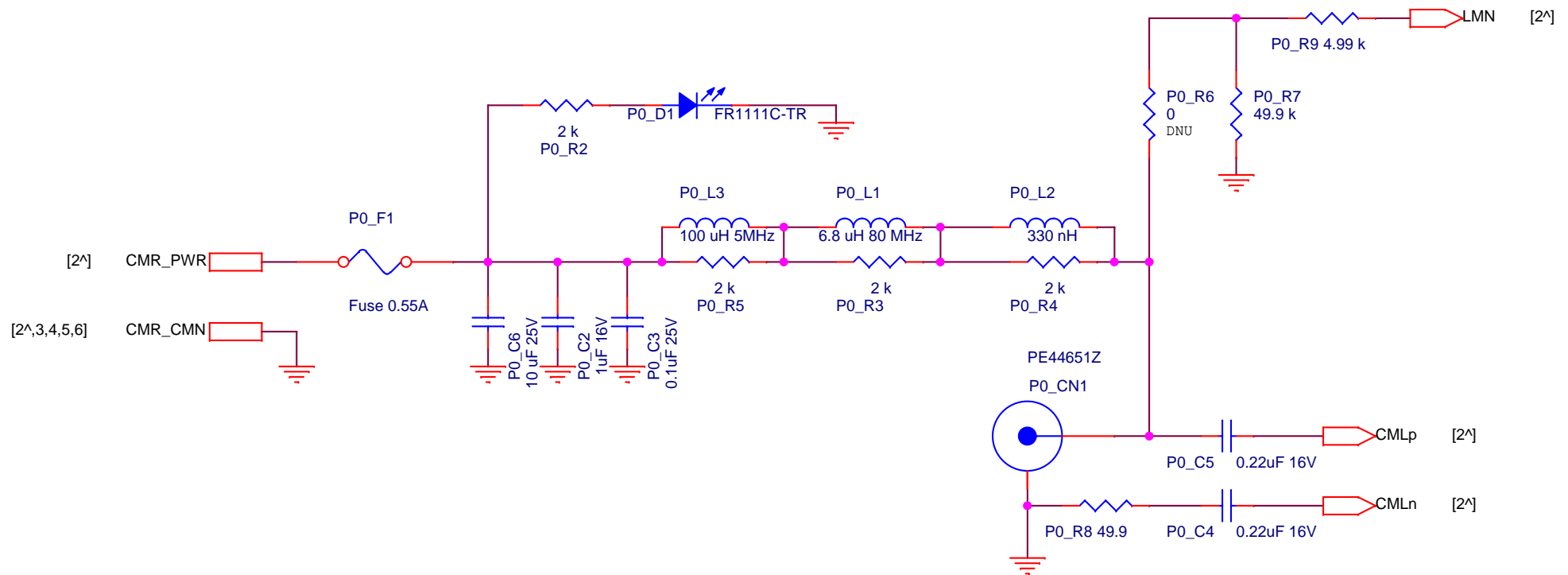
| | | |
|-------|------------------------------|--------------|
| Title | GMSL Input port | |
| Size | Document Number | Rev |
| B | 4xGCMLCoax-V2 | 0 |
| Date: | Wednesday, December 20, 2017 | Sheet 2 of 7 |

Preliminary



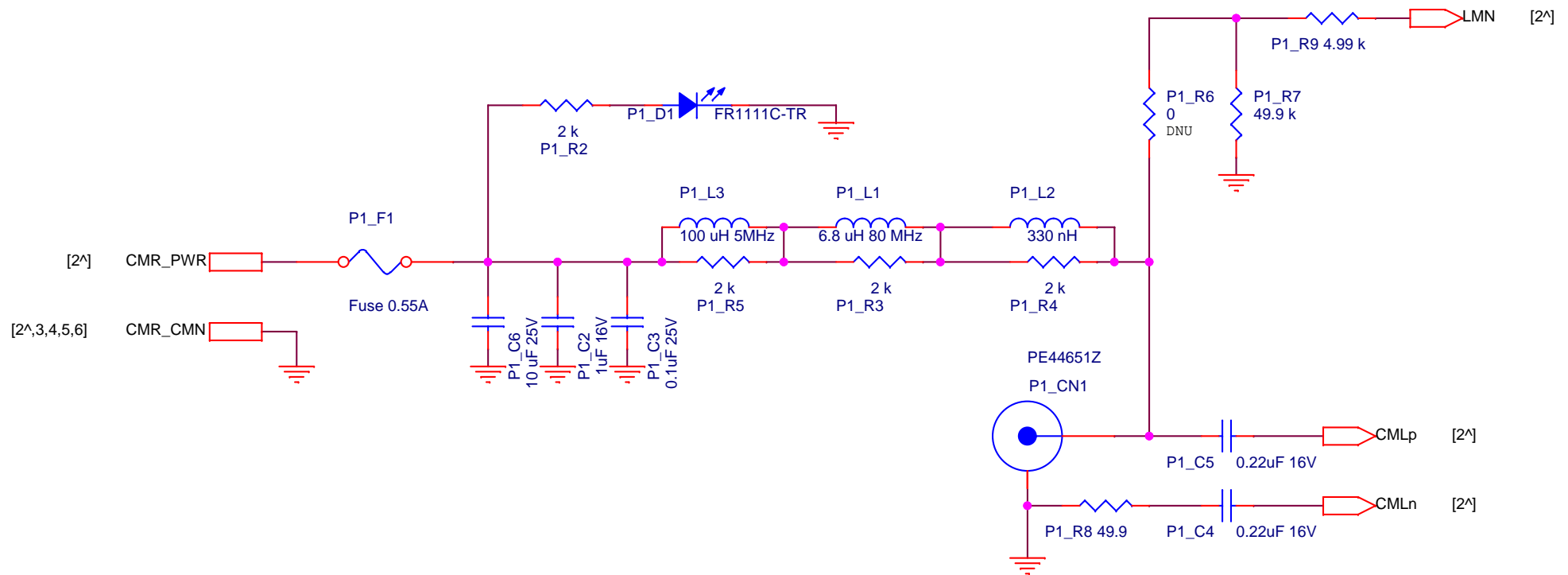
| | | |
|-----------------|------------------------------|--------------|
| Title | | |
| GMSL Input port | | |
| Size | Document Number | Rev |
| A | 4xGCMLCoax-V2 | 0 |
| Date: | Wednesday, December 20, 2017 | Sheet 3 of 7 |

Preliminary



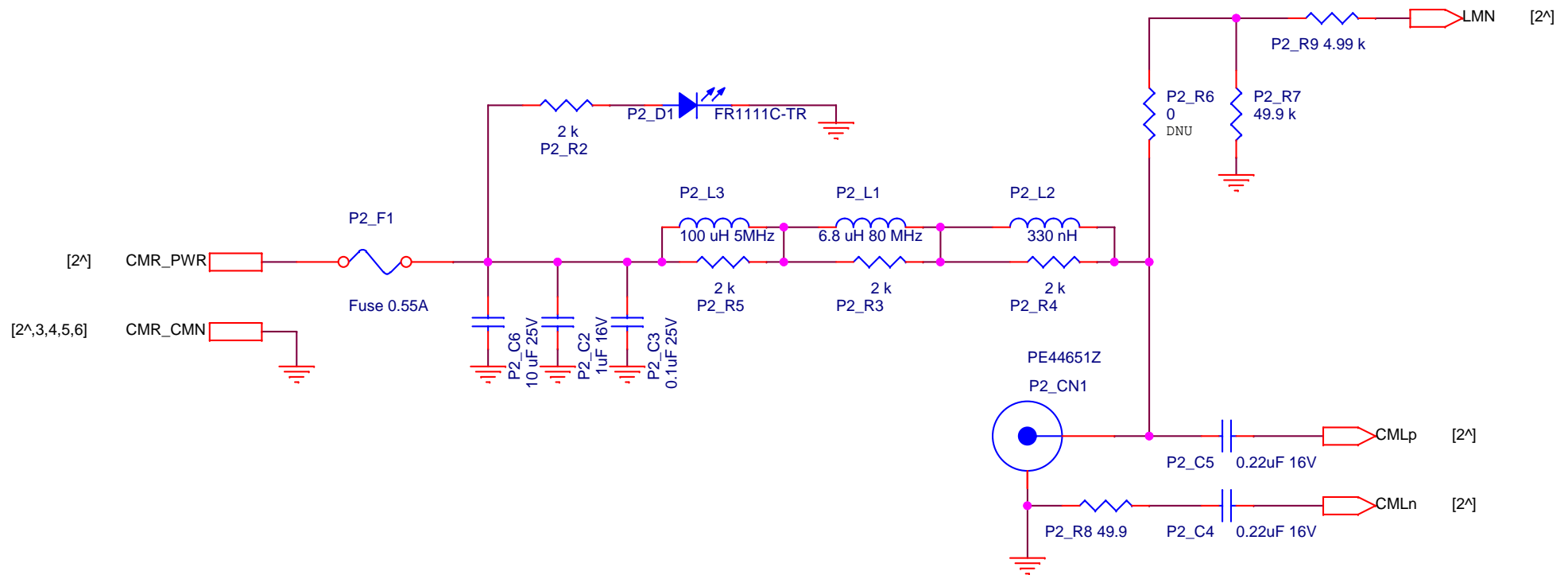
| | | |
|-----------------|------------------------------|--------------|
| Title | | |
| GMSL Input port | | |
| Size | Document Number | Rev |
| A | 4xGCMLCoax-V2 | 0 |
| Date: | Wednesday, December 20, 2017 | Sheet 4 of 7 |

Preliminary



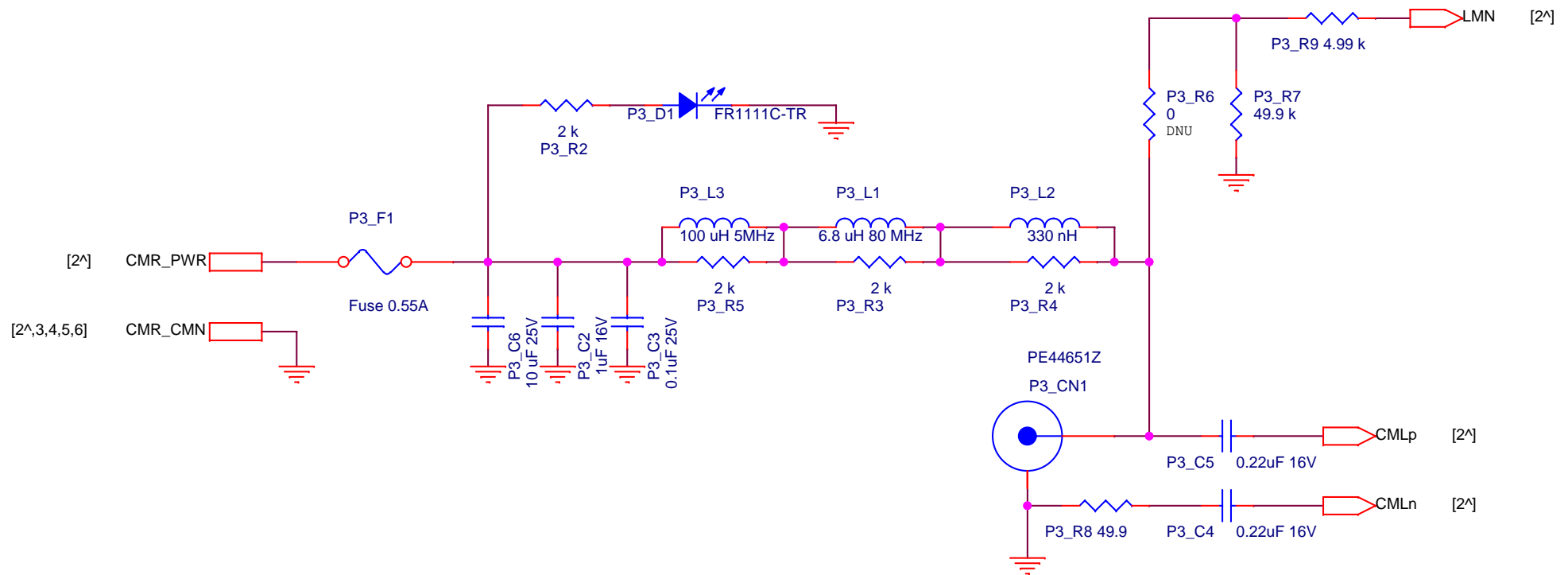
| | | |
|-----------------|------------------------------|--------------|
| Title | | |
| GMSL Input port | | |
| Size | Document Number | Rev |
| A | 4xGCMLCoax-V2 | 0 |
| Date: | Wednesday, December 20, 2017 | Sheet 5 of 7 |

Preliminary



| | | |
|-----------------|------------------------------|--------------|
| Title | | |
| GMSL Input port | | |
| Size | Document Number | Rev |
| A | 4xGCMLCoax-V2 | 0 |
| Date: | Wednesday, December 20, 2017 | Sheet 6 of 7 |

Preliminary



| | | |
|-----------------|------------------------------|--------------|
| Title | | |
| GMSL Input port | | |
| Size | Document Number | Rev |
| A | 4xGCMLCoax-V2 | 0 |
| Date: | Wednesday, December 20, 2017 | Sheet 7 of 7 |