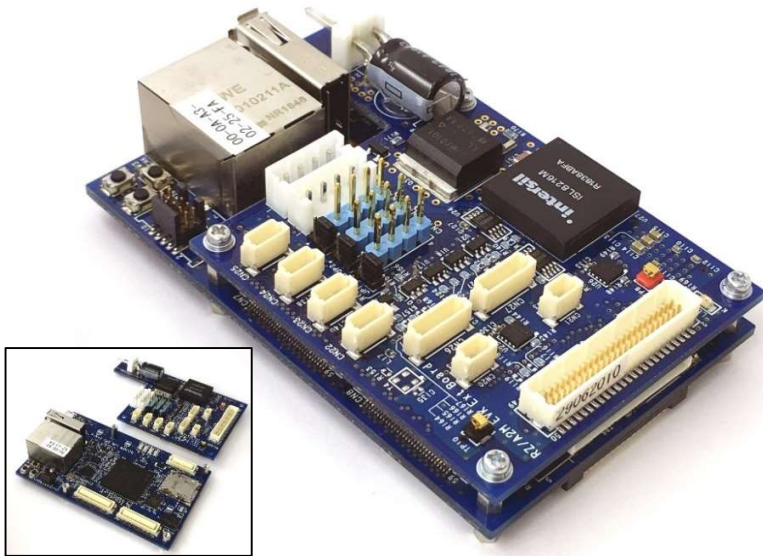


RZ/A2M Eva-Lite

SHIMAFUJI

(SEMB1451/1452)



◆ SEMB1451/1452 Specifications

| | | |
|--------------------|-----------------------------------|------------------------|
| CPU | RZ/A2M R7S921053VCBG | |
| | Arm® Cortex®-A9 | 528 MHz |
| | Internal RAM | 4 MByte |
| Memory | HyperMCP™ Flash | 64 MByte |
| | RAM | 8 MByte |
| | Serial Flash Memory | 64 MByte |
| | EEPROM | 2 KByte |
| External Interface | MIPI® CSI-2 | x1 |
| | Ether (10/100BASE-TX) | x1 |
| | USB2.0 Host (Type-A) | x1 |
| | USB2.0 Target (Micro-B) | x1 |
| | microSD Card Slot | x1 |
| | RS485 | x2 |
| | UART(1/2wire) | x3 |
| | SPI | x2 |
| | CAN | x2 |
| | Analog input | x4 |
| | LVDS output | x1 |
| | Extrenal I/O (GPIO/PWM/DRP) | |
| | JTAG (ARM, Half pitch 10pin) | |
| | Other | 9-Axis Sensor (BMX055) |
| Push Switch | | x3 |
| LED | | x4 |
| Power | DC 10-50V(*1) | 2pin connector |
| | DC 5V | USB(Micro-B) |
| Power Consumption | 9W (typ) | |
| Size | 50mm x 80mm (Exclude Protrusions) | |

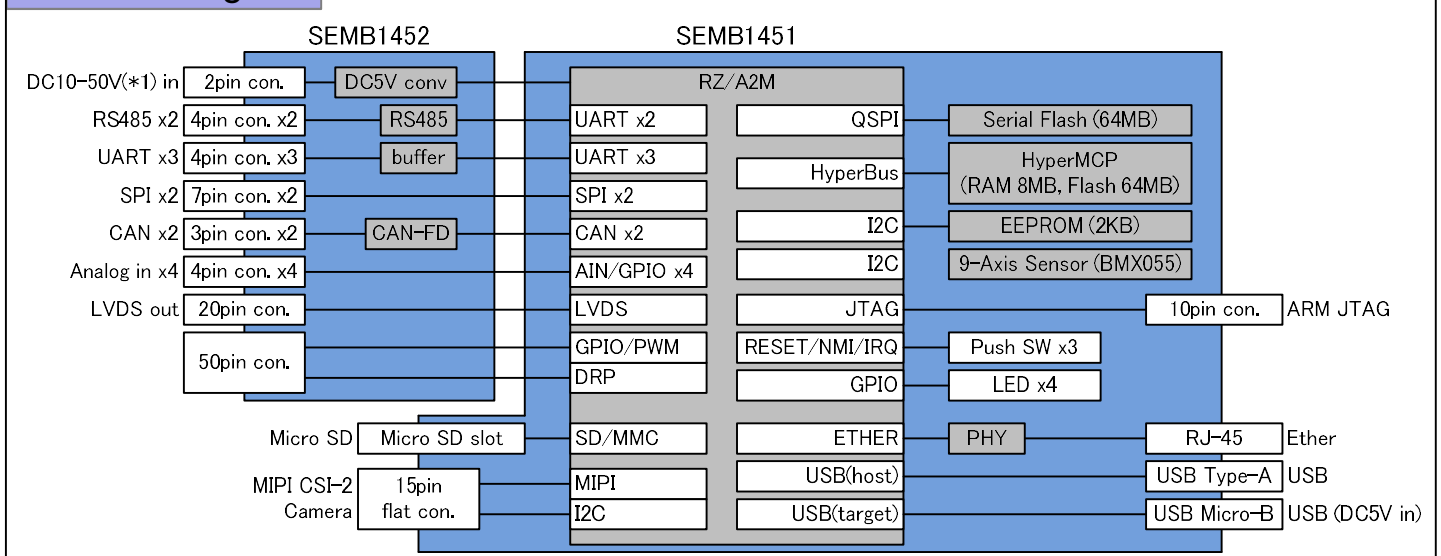
*1: Standered Model 10-30V, High voltage Model 20-50V

This evaluation board is a two-board configuration mounted a RZ/A2M microcomputer (Renesas Electronics).

This board Equipped with MIPI® camera input, HyperMCP™, LVDS display output, acceleration sensor, USB, Ether, microSD card slot, can be evaluated for RZ/A2M various applications including image processing/analysis.

There are external interface I/F which are RS485 x2, UART x3, SPI x2, CAN x2, analog input x4, and could control external Serial servo etc. and supply input voltage (DC10-50V *1) .

◆ Block Diagram



The contents of this material might change without notification.

SP29T9001EN

The company names and products described in this document are trademarks or registered trademarks of each company.

SHIMAFUJI Electric Inc.

6-36-11, Nishikamata, Ota-ku, Tokyo, 144-0051, Japan

TEL : +81 03-3733-8308

E-mail : info@shimafuji.co.jp

URL : http://www.shimafuji.co.jp