

# RZ/A2M Eva Board



(SBEV-RZ/A2M)

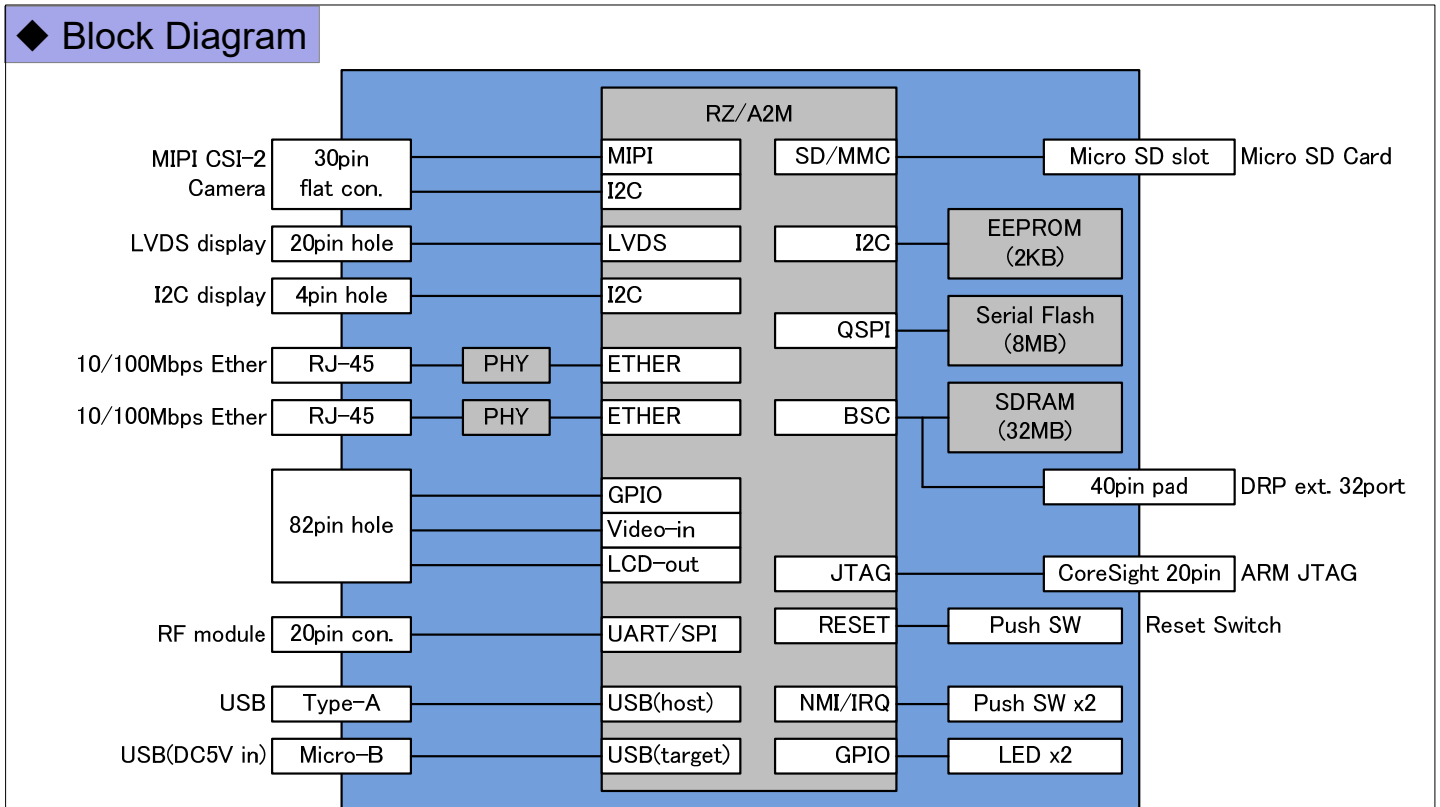


This board (SBEV-RZ/A2M) is an evaluation board which installed Renesas RZ/A2M (R7S921053VCBG). This board Equipped with MIPI Camera, LVDS Display output, USB and Ether, so evaluate various purposes including image processing.

## ◆ SBEV-RZ/A2M Specifications

CPU	RZ/A2M R7S921053VCBG	
	Cortex-A9	528MHz
	Internal RAM	4MB
	DRP	6Tiles
Memory	SDRAM	32MB
	Serial Flash Memory	8MB
	EEPROM	2KB
External Interface	MIPI CSI-2	x1
	LVDS Output	x1
	Ether (10/100Mbps)	x2
	USB2.0 Host (Type-A)	x1
	USB2.0 Target (Micro-B)	x1
	SD Card Slot (SD/SDHS/SDXC)	x1
	DRP External I/O Terminals	x32
	External (GPIO/PWM /DRP)	
Other	LED	x2
	Push Switch	x2
POWER	DC 5V	USB(Micro-B)/DC Jack
SIZE	100mm x 100mm	

## ◆ Block Diagram



The contents of this material might change without notification.

SP28T9002EN

The company names and products described in this document are trademarks or registered trademarks of each company.

SHIMAFUJI Electric Inc.

6-36-11, Nishikamata, Ota-ku, Tokyo, Japan

TEL : 03-3733-8308

E-mail : info@shimafuji.co.jp

URL : http://www.shimafuji.co.jp

