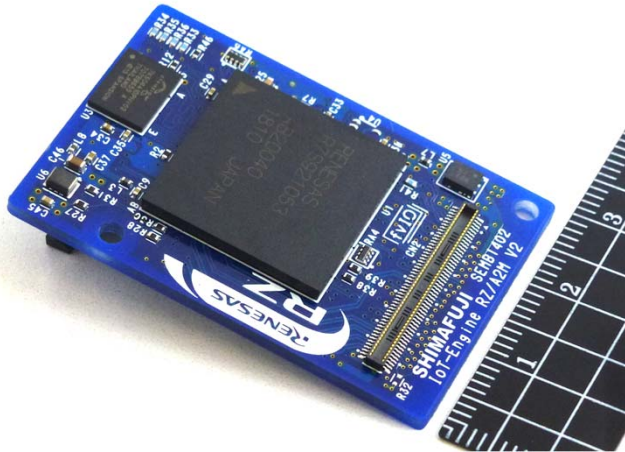


IoT-Engine RZ/A2M (SEMB1402)



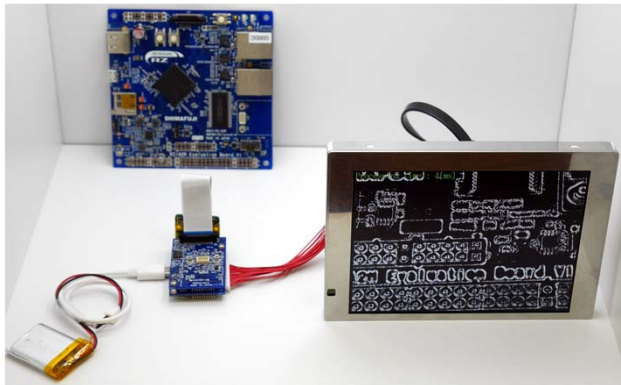
This product is a CPU module based on IoT-Engine standard, equipped with Renesas Electronics microcontroller (RZ/A2M).

It could develop IoT devices including image processing/analysis with MIPI camera input interface, Hyper RAM, and LVDS display output interface (when connected to a Base Board SEMB1312). Acquired images and analysis results can be sent to the server via USB, Wi-Fi, etc.

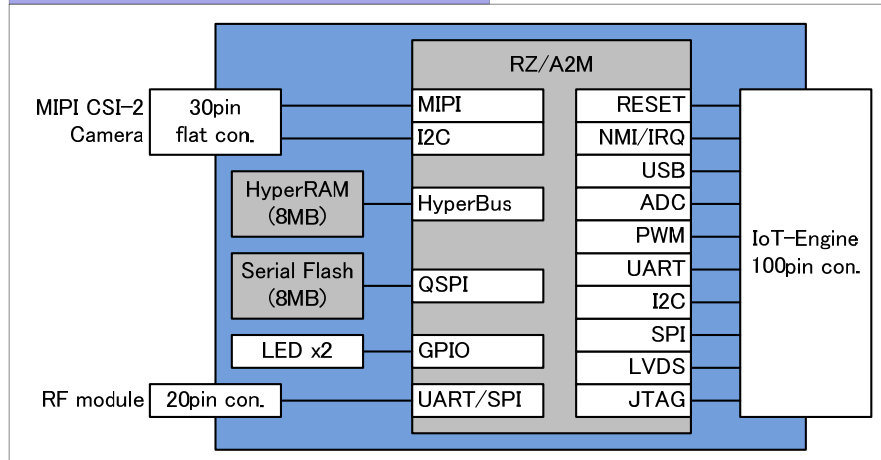


◆ SEMB1401 Specification

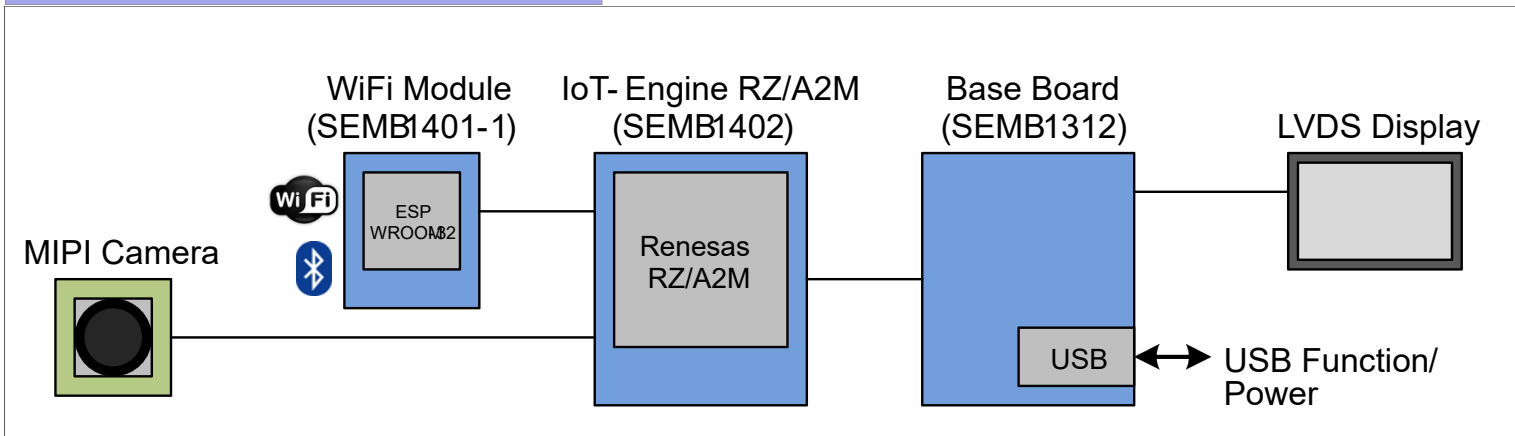
CPU	RZ/A2M R7S921053VCBG	
	Cortex-A9	528MHz
	Internal RAM	4MB
Memory	SPI Flash Memory	8MB
	HyperRAM	8MB
Connection	MIPI CSI-2 Flat flexible cable connector	x1
	IoT-Engine Connector	x1
	IoT-Engine RF External Connector	x1
Power	DC3.3V (IoT-Engine Connector)	
Size	30mm x 42mm	



◆ SEMB1402 Block diagram



◆ Option board connection diagram



The contents of this material might change without notification.

SHIMAFUJI Electric Inc.
6-36-11, Nishikamata, Ota-ku, Tokyo,
144-0051, Japan

TEL : +83 03-3733-8308
E-mail : info@shimafuji.co.jp
URL : http://www.shimafuji.co.jp

