

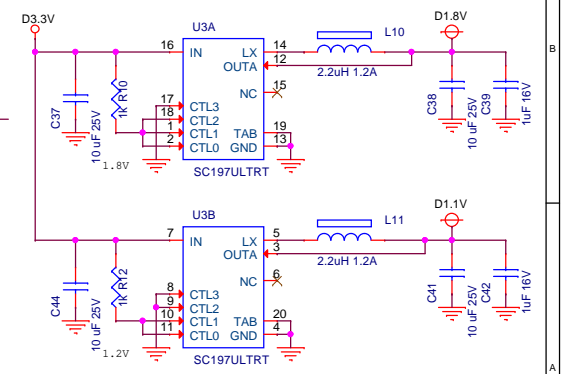
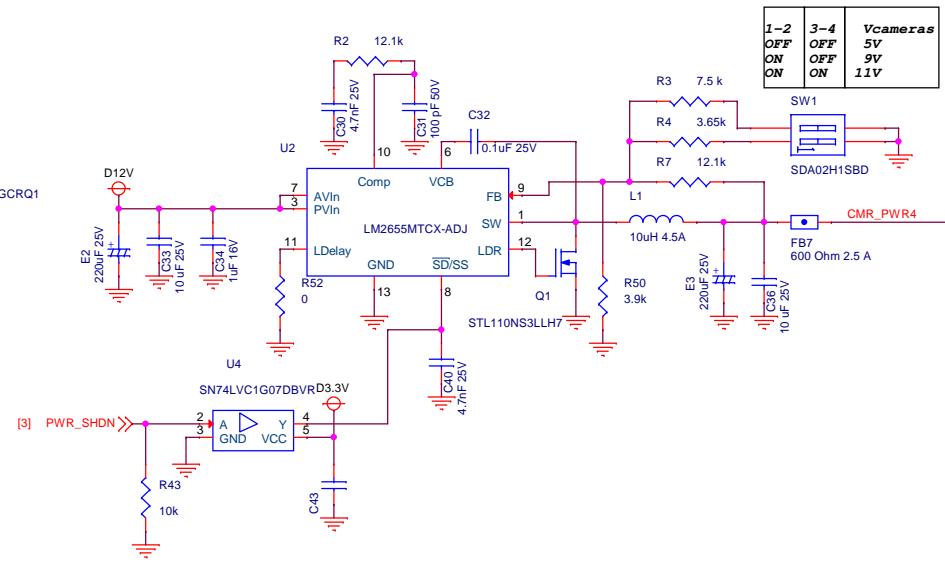
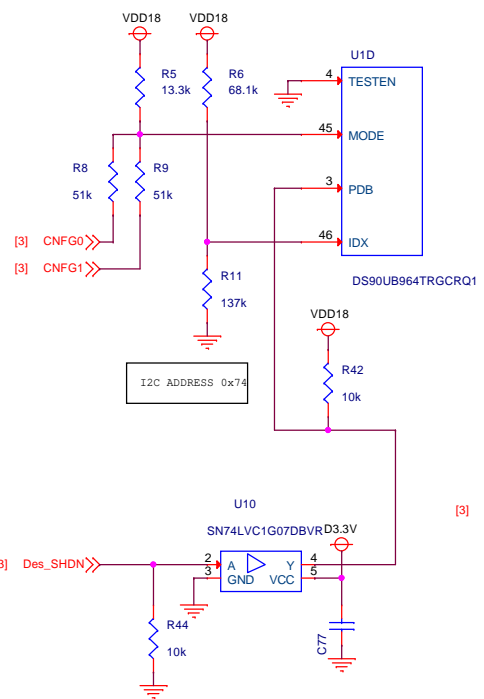
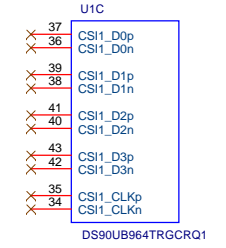
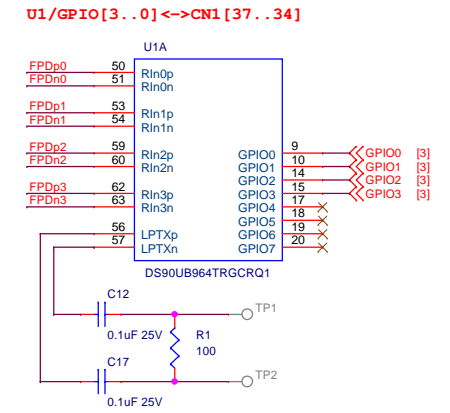
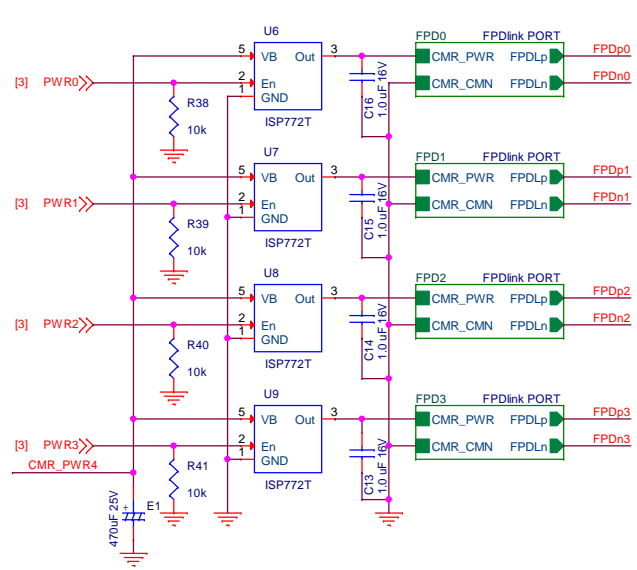
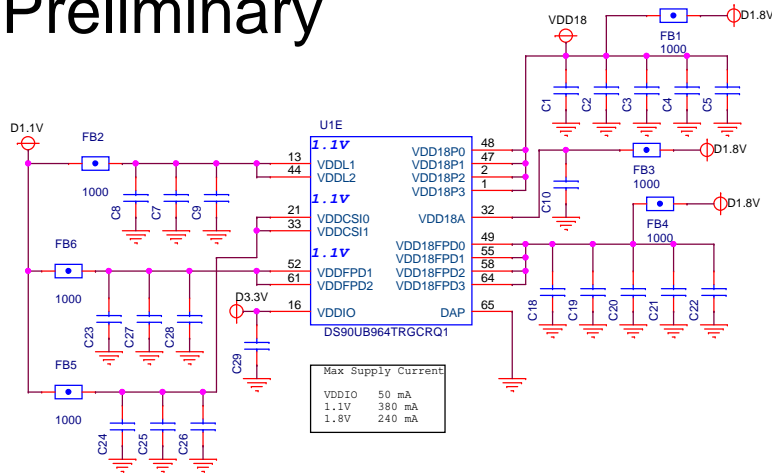
# Preliminary

## *FPDLinkIII Input port*

01 TOC & TITLE  
02 DESERIALIZATOR  
03 PORT

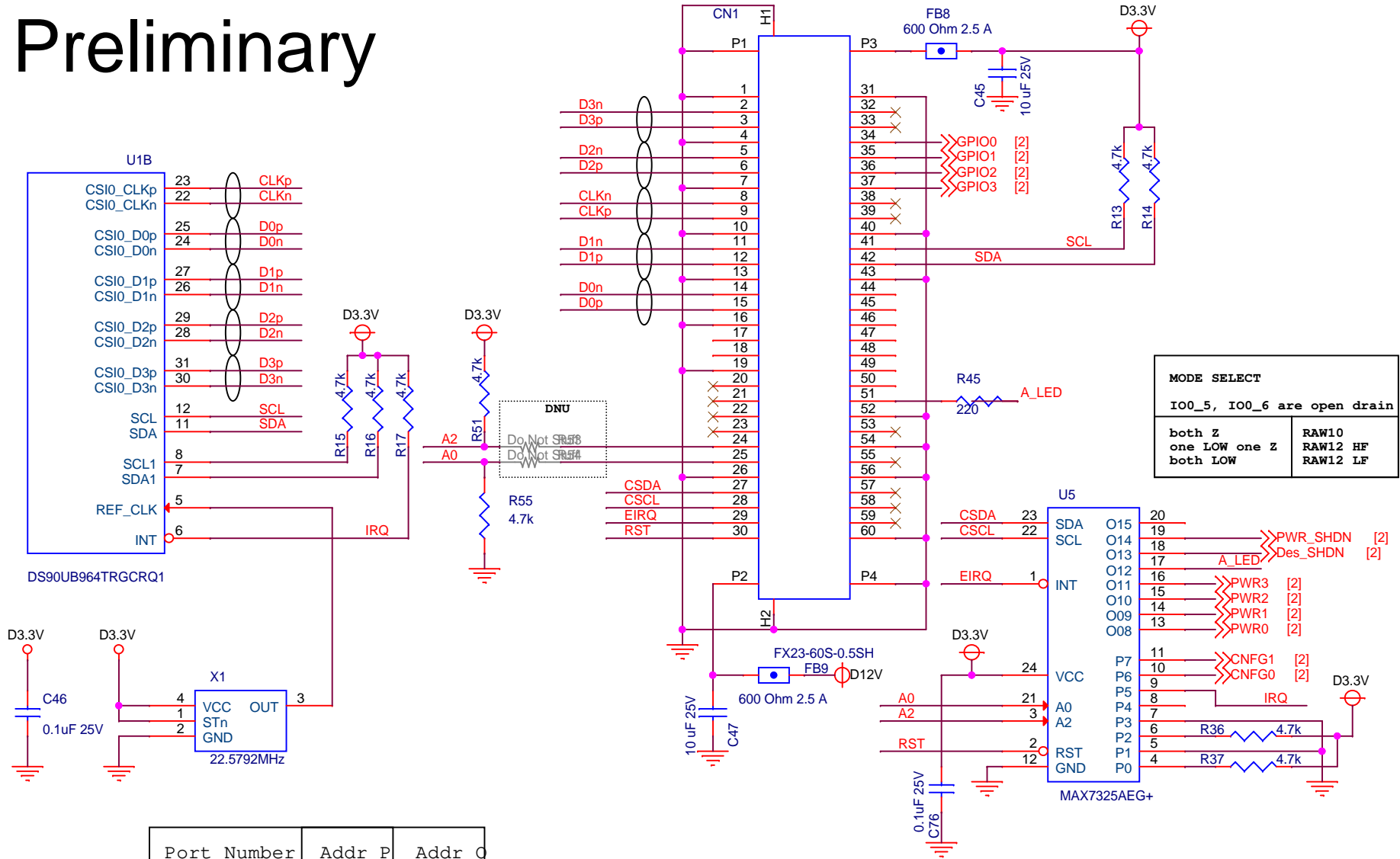
A		
Title		
FPDLinkIII Input port		
Size	Document Number	Rev
A	4xFPDLinkIIICoax_V2	2
Date:	Wednesday, August 02, 2017	Sheet 1 of 7
A		

# Preliminary



Title		
FPDLinkIII Input port		
Size	Document Number	Rev
B	4xFPDLinkIIICoax_V2	2
Date:	Wednesday, August 02, 2017	Sheet 2 of 7

# Preliminary



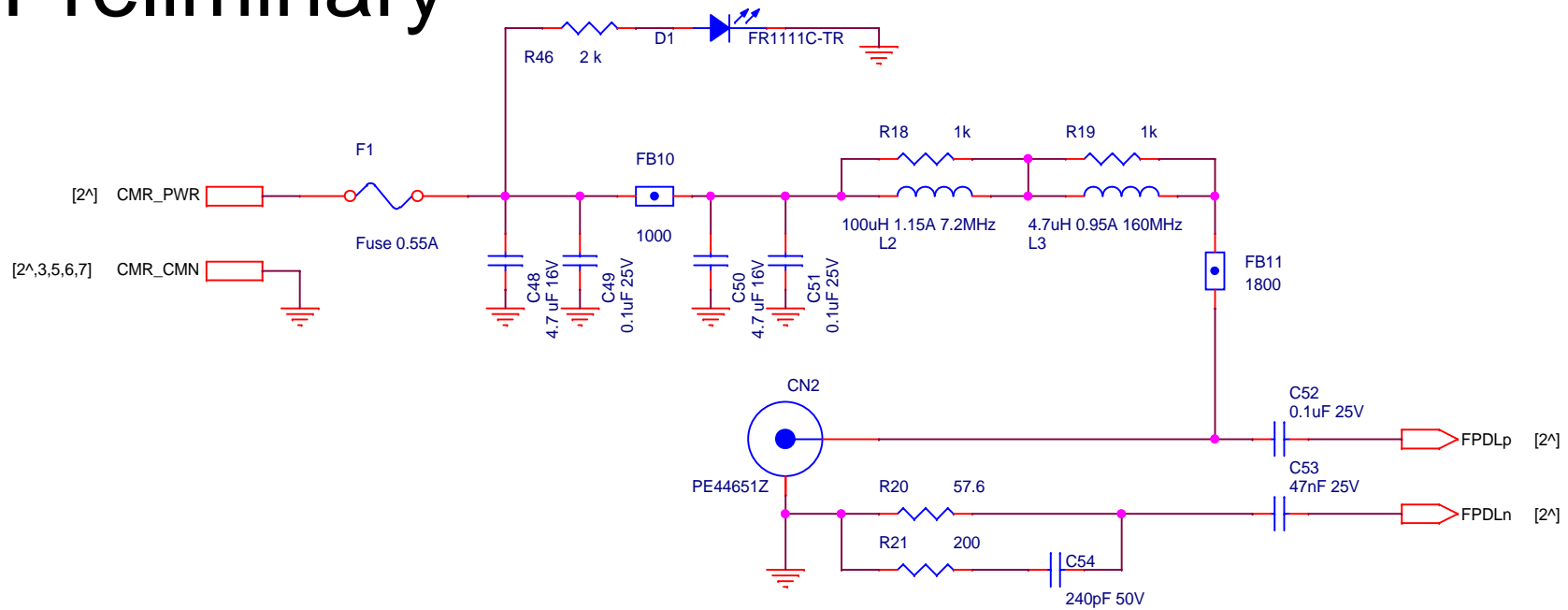
**MODE SELECT**  
 IO0\_5, IO0\_6 are open drain

both Z	RAW10
one LOW one Z	RAW12 HF
both LOW	RAW12 LF

Port Number	Addr_P	Addr_C
A	D0	B0
B	D2	B2
C	D8	B8

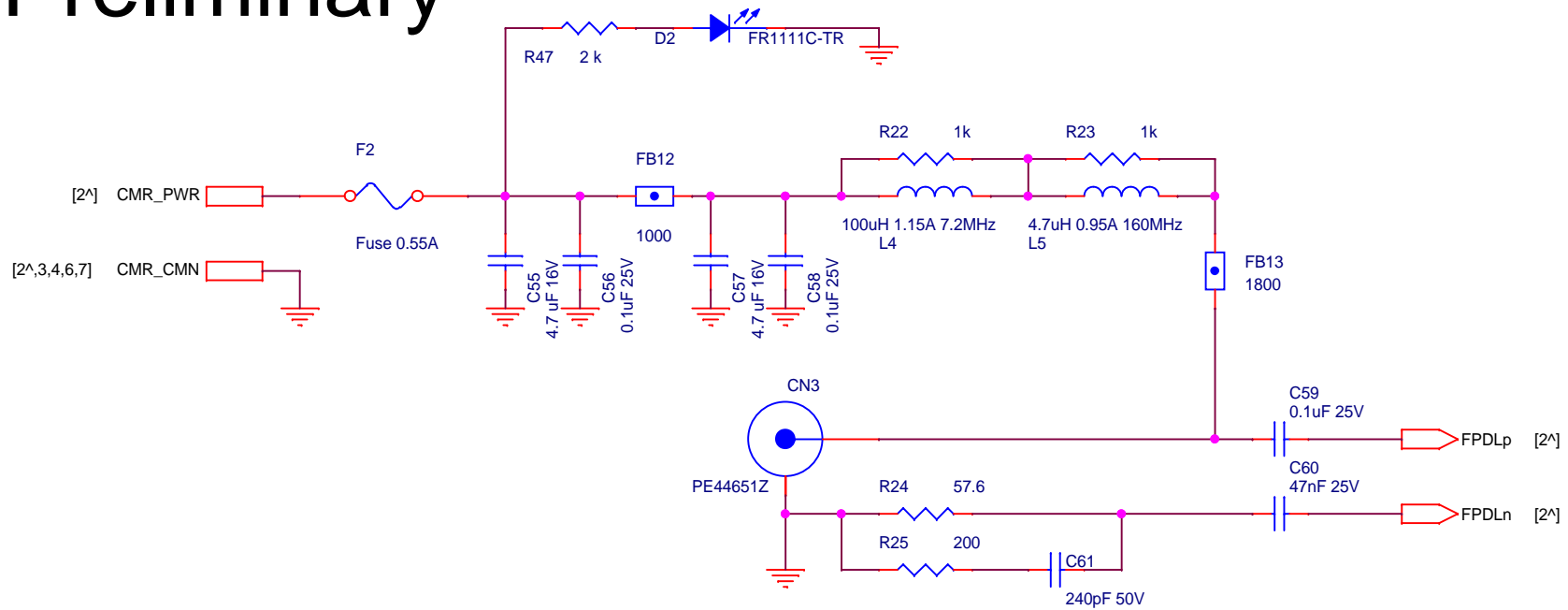
Title		
FPDLinkIII Input port		
Size	Document Number	Rev
A	4xFPDLinkII Coax_V2	2
Date:	Wednesday, August 02, 2017	Sheet 3 of 7

# Preliminary



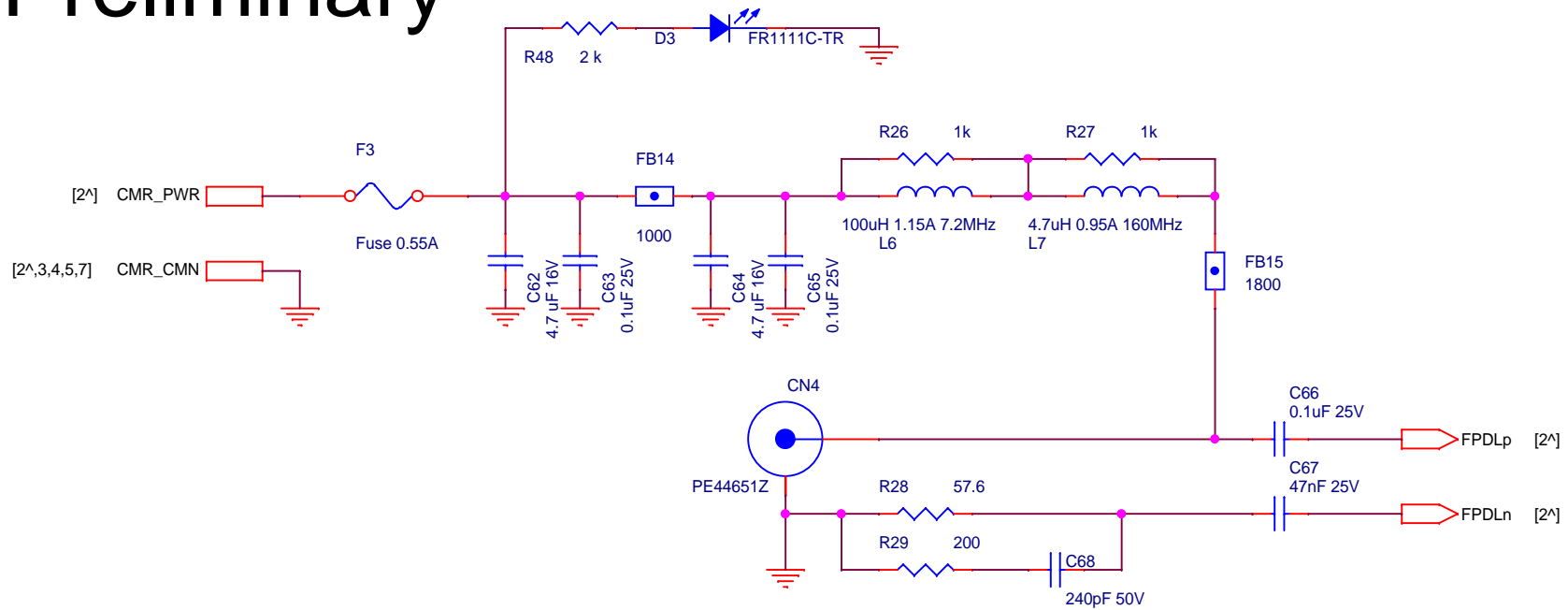
Title		
FPDLinkIII Input port		
Size	Document Number	Rev
A	4xFPDLinkIIICoax_V2	2
Date:	Wednesday, August 02, 2017	Sheet 4 of 7

# Preliminary



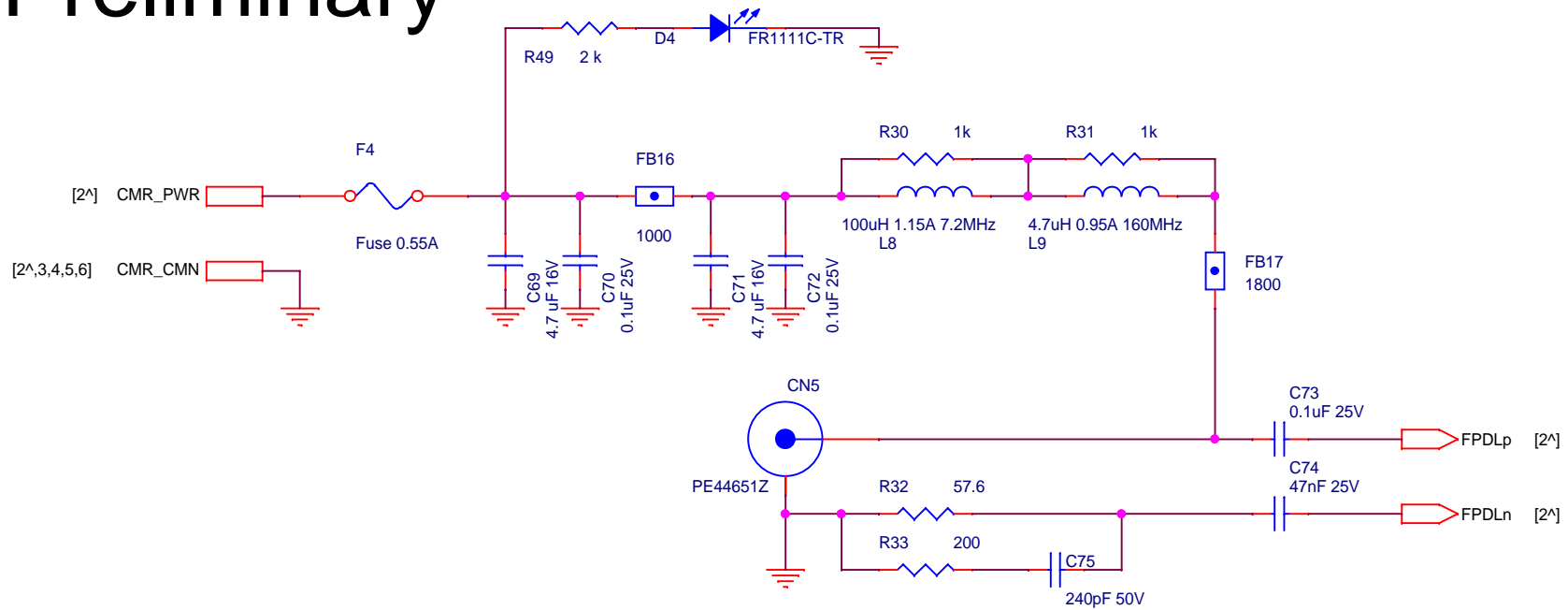
Title		
FPDLinkIII Input port		
Size	Document Number	Rev
A	4xFPDLinkIIICoax_V2	2
Date:	Wednesday, August 02, 2017	Sheet 5 of 7

# Preliminary



Title		
FPDLinkIII Input port		
Size	Document Number	Rev
A	4xFPDLinkIIICoax_V2	2
Date:	Wednesday, August 02, 2017	Sheet 6 of 7

# Preliminary



Title		
FPDLinkIII Input port		
Size	Document Number	Rev
A	4xFPDLinkIIICoax_V2	2
Date:	Wednesday, August 02, 2017	Sheet 7 of 7